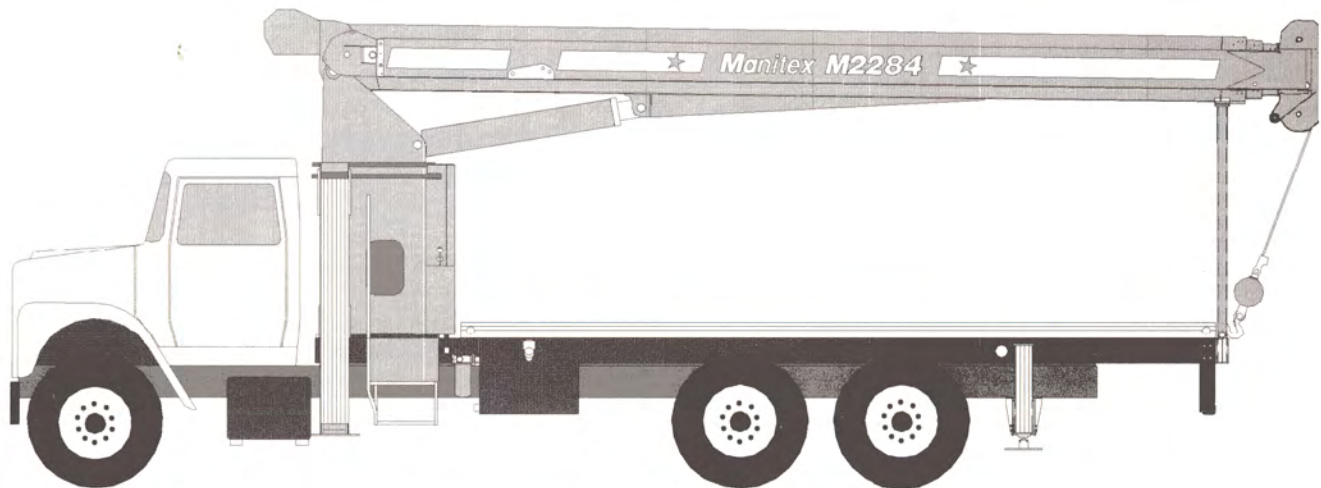




Millennium Series™ M2200

General Specifications

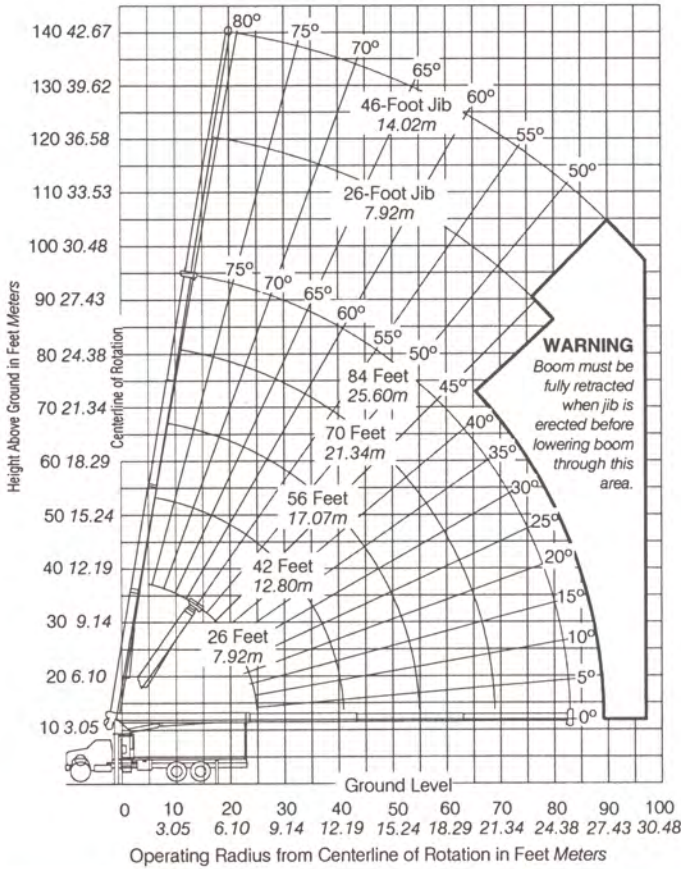


Model shown is M2284 with optional jib.

STANDARD EQUIPMENT

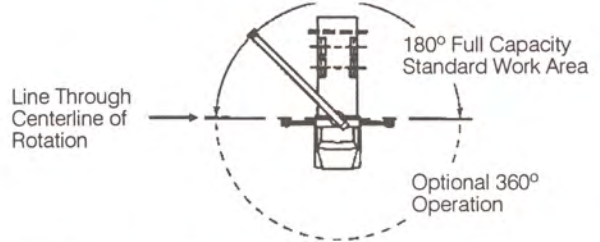
- **M2284** - 4-Section telescopic boom
26' to 84' (7.93m to 25.60m).
- **M2264** - 3-Section telescopic boom
26' to 64' (7.93m to 19.50m).
- 2-Speed planetary hoist.
- 5-ton (4.5mt) hook and ball.
- 3-Sheave boom point.
- Anti-two-block shutoff.
- Boom hoist cylinder.
- System pressure gauge.
- 70-Gallon (265-liter) hydraulic reservoir.
- Removable boom rest.
- Finish paint in Manitex colors.
- Engine Start/Stop.
- Operator/service/parts manuals.
- 300' (91.44m) of $\frac{9}{16}$ " (14.3mm) EIPS IWRC wire rope.
- 372° Non-continuous rotation.
- Pedestal, turret, rotation bearing and swing system.
- Dual operator control stations.
- Capacity-alert system - audio/visual warning.
- Audible outrigger/stabilizer motion alarm.
- Out-and-down rear stabilizers.
- A-frame link type outriggers.
- 3-Section vane type hydraulic pump.
- 20' (6.10m) Subframe.
- Signal horn.

M2284 RANGE DIAGRAM



MODEL M2284

AREA OF OPERATION



ALLOWABLE LINE PULL						WARNING
1 PART LINE	2 PART LINE	3 PART LINE	4 PART LINE	5 PART LINE	6 PART LINE	
						ANTI-TWO BLOCK SYSTEM MUST BE IN GOOD OPERATING CONDITION BEFORE OPERATING CRANE. REFER TO OWNER'S MANUAL. KEEP AT LEAST 3 WRAPS OF LOAD ON DRUM AT ALL TIMES
8500 lb 3856 kg	17000 lb 7711 kg	25500 lb 11567 kg	34000 lb 15422 kg	42500 lb 19278 kg	44000 lb 19958 kg	
7400 lb 3357 kg	14800 lb 6713 kg	22200 lb 10070 kg	29600 lb 13426 kg	37000 lb 16783 kg	44000 lb 19958 kg	9/16" (14.29mm) 6x25 IWRC (3.5:1 SF), 29750 lb (13494 kg) Minimum breaking strength. 9/16" (14.29mm) Rotation resistant (5.0:1 SF), 37000 lb (16783 kg) Minimum breaking strength.

WEIGHTS

Total crane, including hydraulic fluid	19,200 lb	8,709 kg
26' (7.93m) Fixed-length jib	819 lb	372 kg
46' (14.02m) Telescopic jib	1,220 lb	553 kg
15-Ton (13.6-mt) Single-sheave block	263 lb	119 kg
25-Ton (22.7-mt) Triple-sheave block	380 lb	172 kg
Hanger sheave for 5- and 6-part line	38 lb	17 kg
20'4" (6.20m) Steel or wood bed	1,900 lb	862 kg

DEDUCTIONS

Hanger Sheave	50 lb	23 kg
Overhaul Ball	120 lb	54 kg
Single-Sheave Load Block	260 lb	118 kg
Double-Sheave Load Block	350 lb	159 kg
Triple-Sheave Load Block	380 lb	172 kg

Hose Reel	140 lb	64 kg
Swing-Around Jib	See Load Rating Chart	

WARNING Lifting off the main boom point while the swing-around jib is erected is not intended or approved.

Outriggers and stabilizers fully extended and machine level.

M2284 LOAD RATING CHART

Meets ANSI B30.5 Requirements.

Operating Radius		BOOM LOAD RATINGS												JIB LOAD RATINGS												
		26 Feet 7.92 Meters			42 Feet 12.80 Meters			56 Feet 17.07 Meters			70 Feet 21.34 Meters			84 Feet 25.60 Meters			26 Foot 7.92 Meters			46 Foot 14.02 Meters						
Feet	Meters	∠	lb	kg	∠	lb	kg	∠	lb	kg	∠	lb	kg	∠	lb	kg	∠	lb	kg	∠	lb	kg	∠	lb	kg	
4	1.22	80°	44,000	19,958																						
6	1.83	77°	34,600	15,694																						
8	2.44	72°	27,800	12,610																						
10	3.05	67°	23,350	10,591	77°	20,000	9,072																			
12	3.66	62°	20,200	9,163	74°	17,860	8,101	79°	16,400	7,439																
14	4.27	57°	17,780	8,065	71°	15,660	7,103	76°	14,400	6,532	80°	13,320	6,042													
16	4.88	51°	15,870	7,199	68°	13,930	6,319	74°	12,780	5,797	78°	11,770	5,339													
20	6.10	38°	12,800	5,806	62°	11,400	5,171	70°	10,400	4,717	75°	9,570	4,341	78°	8,900	4,037										
25	7.62				54°	9,230	4,187	64°	8,400	3,810	70°	7,710	3,497	74°	7,180	3,257	79°	4,510	2,046							
30	9.14				44°	7,630	3,461	58°	7,000	3,175	66°	6,410	2,908	71°	5,910	2,681	76°	3,890	1,764	79°	3,100	1,406				
35	10.67				33°	6,260	2,839	52°	5,910	2,681	61°	5,410	2,454	67°	4,980	2,259	74°	3,350	1,520	77°	2,800	1,270				
40	12.19				14°	4,500	2,041	45°	5,040	2,286	56°	4,630	2,100	63°	4,260	1,932	71°	2,900	1,315	75°	2,520	1,143				
45	13.72							37°	4,260	1,932	51°	4,000	1,814	59°	3,670	1,665	68°	2,500	1,134	72°	2,240	1,016				
50	15.24							26°	3,470	1,574	45°	3,460	1,569	55°	3,190	1,447	65°	2,170	984	70°	1,980	898				
55	16.76										39°	2,960	1,343	51°	2,770	1,256	62°	1,870	848	67°	1,750	794				
60	18.29										31°	2,430	1,102	46°	2,390	1,084	59°	1,520	689	65°	1,550	703				
65	19.81										21°	1,920	871	41°	2,010	912	56°	1,240	562	63°	1,370	621				
70	21.34													35°	1,620	735	52°	980	445	60°	1,210	549				
75	22.86													27°	1,300	590	49°	760	345	57°	1,050	476				
80	24.38													19°	990	449	45°	570	259	54°	850	386				
85	25.91																			51°	680	308				
90	27.43																			48°	520	236				
7300015-004			650	295		400	181		300	136		250	113		200	91										

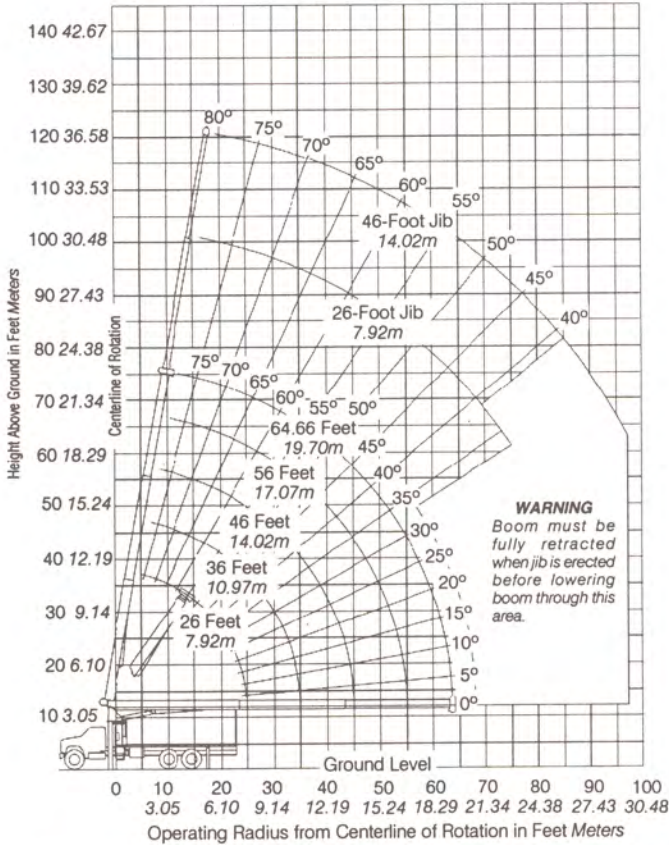
This capacity chart is for reference only and must not be used for a specific serial number crane.

Main boom load ratings are based on machine structural competence and do not exceed 85% of tipping.

Do not operate crane or accessories within 10 feet, 3.05 meters, of live power lines.

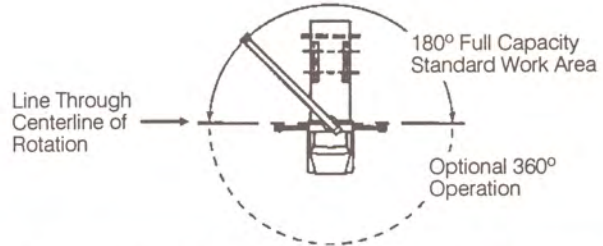
Deductions for stowed jib

M2264 RANGE DIAGRAM



MODEL M2264

AREA OF OPERATION



ALLOWABLE LINE PULL						WARNING
1 PART LINE	2 PART LINE	3 PART LINE	4 PART LINE	5 PART LINE	6 PART LINE	
						ANTI-TWO BLOCK SYSTEM MUST BE IN GOOD OPERATING CONDITION BEFORE OPERATING CRANE. REFER TO OWNER'S MANUAL. KEEP AT LEAST 3 WRAPS OF LOAD ON DRUM AT ALL TIMES
8500 lb 3856 kg	17000 lb 7711 kg	25500 lb 11567 kg	34000 lb 15422 kg	42500 lb 19278 kg	44000 lb 19958 kg	
7400 lb 3357 kg	14800 lb 6713 kg	22200 lb 10070 kg	29600 lb 13426 kg	37000 lb 16783 kg	44000 lb 19958 kg	9/16" (14.29mm) 6x25 IWRC (3.5:1 SF), 29750 lb (13494 kg) Minimum breaking strength. 9/16" (14.29mm) Rotation resistant (5.0:1 SF), 37000 lb (16783 kg) Minimum breaking strength.

WEIGHTS

Total crane, including hydraulic fluid	18,070 lb	8,196 kg
26' (7.93m) Fixed-length jib	819 lb	372 kg
46' (14.02m) Telescopic jib	1,220 lb	553 kg
15-Ton (13.6-mt) Single-sheave block	263 lb	119 kg
25-Ton (22.7-mt) Triple-sheave block	380 lb	172 kg
Hanger sheave for 5- and 6-part line	38 lb	17 kg
20'4" (6.20m) Steel or wood bed	1,900 lb	862 kg

DEDUCTIONS

Hanger Sheave	50 lb	23 kg
Overhaul Ball	120 lb	54 kg
Single-Sheave Load Block	260 lb	118 kg
Double-Sheave Load Block	350 lb	159 kg
Triple-Sheave Load Block	380 lb	172 kg

Hose Reel	140 lb	64 kg
Swing-Around Jib	See Load Rating Chart	

WARNING Lifting off the main boom point while the swing-around jib is erected is not intended or approved.

Outriggers and stabilizers fully extended and machine level.

M2264 LOAD RATING CHART

Meets ANSI B30.5 Requirements.

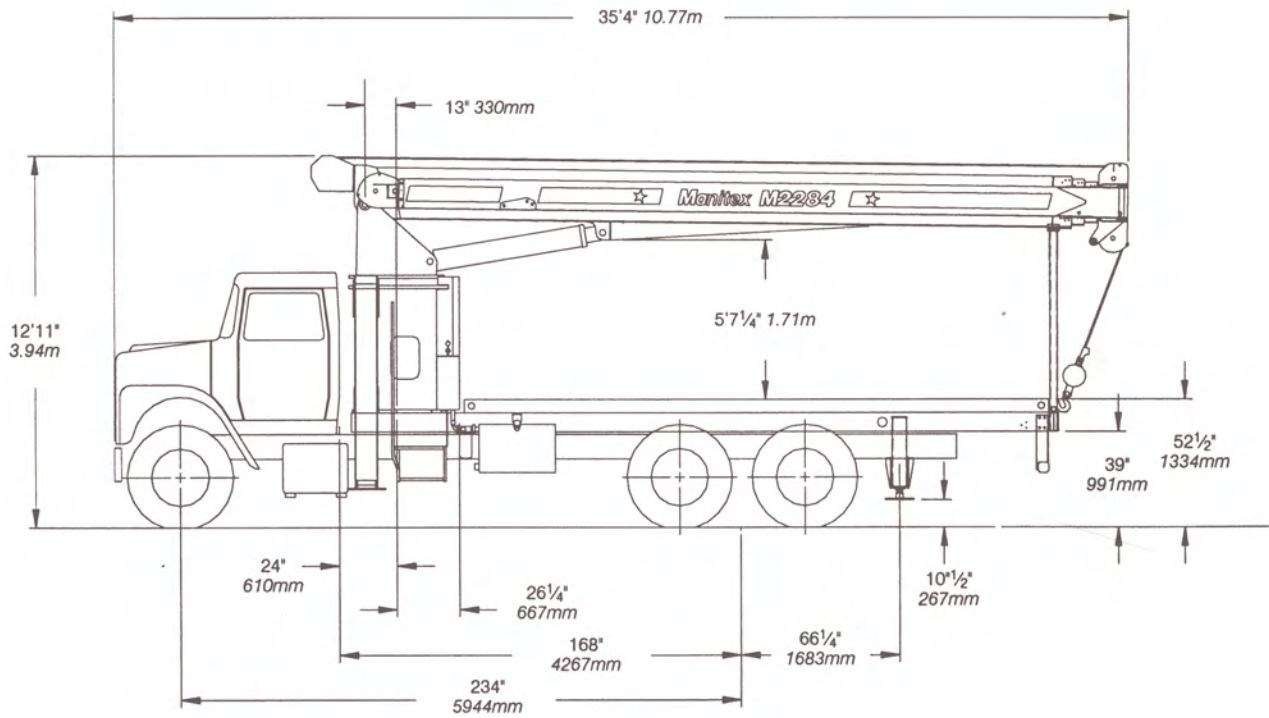
Operating Radius	BOOM LOAD RATINGS										JIB LOAD RATINGS									
	26 Feet 7.92 Meters		36 Feet 12.80 Meters		46 Feet 14.02 Meters		56 Feet 17.07 Meters		64.66 Feet 19.71 Meters		26 Foot 7.92 Meters			46 Foot 14.02 Meters						
	Feet	Meters	∠	lb	kg	∠	lb	kg	∠	lb	kg	∠	lb	kg	∠	lb	kg			
4	1.22	80°	44,000	19,958																
6	1.83	77°	35,200	15,966																
8	2.44	72°	28,400	12,882	77°	26,500	12,020													
10	3.05	67°	23,900	10,841	74°	22,100	10,024	78°	20,800	9,435										
12	3.66	62°	20,800	9,435	71°	19,100	8,664	75°	17,850	8,097	79°	16,880	7,657	80°	16,200	7,348				
14	4.27	57°	18,300	8,301	67°	16,800	7,620	73°	15,700	7,121	76°	14,850	6,736	79°	14,070	6,382				
16	4.88	51°	16,450	7,462	64°	15,060	6,831	70°	14,000	6,350	74°	13,210	5,992	77°	12,540	5,688	80°	5,500	2,495	
20	6.10	38°	13,380	6,069	56°	12,440	5,643	65°	11,530	5,230	70°	10,830	4,912	73°	10,320	4,681	78°	4,450	2,018	
25	7.62				46°	10,130	4,595	57°	9,440	4,282	64°	8,830	4,005	68°	8,440	3,828	75°	3,620	1,642	
30	9.14				32°	8,260	3,747	49°	7,930	3,597	58°	7,420	3,366	63°	7,040	3,193	71°	3,050	1,383	
35	10.67							40°	6,720	3,048	52°	6,370	2,889	58°	6,030	2,735	68°	2,640	1,116	
40	12.19							29°	5,580	2,531	45°	5,500	2,495	53°	5,230	2,372	65°	2,340	1,061	
45	13.72										37°	4,720	2,141	47°	4,560	2,068	61°	2,090	948	
50	15.24										26°	3,940	1,787	40°	3,980	1,805	57°	1,890	857	
55	16.76													32°	3,410	1,547	54°	1,730	785	
60	18.29													21°	2,760	1,252	49°	1,590	721	
65	19.81																45°	1,450	658	
70	21.34																40°	1,350	612	
75	22.86																35°	1,250	567	
80	24.38																	48°	850	386
85	25.91																	45°	800	363
7300015-005			650	295	470	213	370	168	300	136	260	118								

Main boom load ratings are based on machine structural competence and do not exceed 85% of tipping.

Do not operate crane or accessories within 10 feet, 3.05 meters, of live power lines.

Deductions for stowed jib

M2200 SERIES OUTLINE DIMENSIONS



These dimensions are general, not for Engineering. Some dimensions depend on truck selection. Dimensions shown on this page apply to both the M2284 and the M2264 models.

TRUCK CHASSIS DATA

Minimum Requirements for M2200 Series

Some configurations and options may increase requirements.

Wheelbase	234 In.	5,944mm
Cab to Axle.....	168 In.	4,267mm
Frame Section Modulus	110,000 psi	758,450 kPa
	20.0 In ³	328cc
Nominal Frame Width.....	34 In.	864mm
Front Axle Gross Weight Rating	14,000 lb	6,350 kg
Rear Axle Gross Weight Rating	38,000 lb	17,237 kg

